

OB1 - <offline>

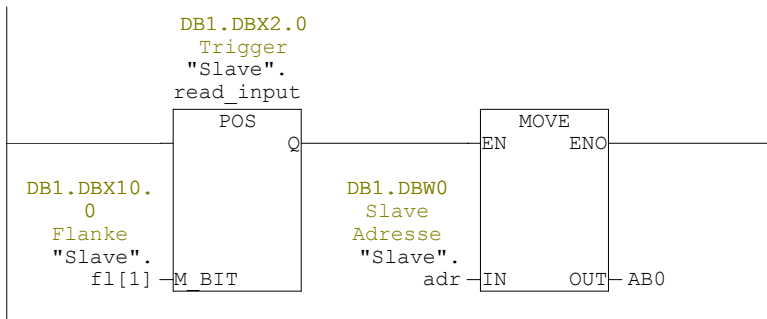
""

Name: **Familie:**
Autor: **Version:** 0.1
Zeitstempel Code: **Bausteinversion:** 2
03.05.2018 14:50:50
Interface: 15.02.1996 16:51:12
Längen (Baustein / Code / Daten): 00726 00560 00020

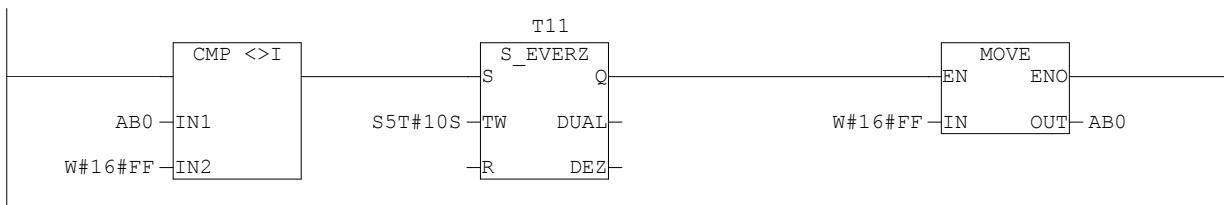
Name	Datentyp	Adresse	Kommentar
TEMP		0.0	
OB1_EV_CLASS	Byte	0.0	Bits 0-3 = 1 (Coming event), Bits 4-7 = 1 (Event class 1)
OB1_SCAN_1	Byte	1.0	1 (Cold restart scan 1 of OB 1), 3 (Scan 2-n of OB 1)
OB1_PRIORITY	Byte	2.0	Priority of OB Execution
OB1_OB_NUMBR	Byte	3.0	1 (Organization block 1, OB1)
OB1_RESERVED_1	Byte	4.0	Reserved for system
OB1_RESERVED_2	Byte	5.0	Reserved for system
OB1_PREV_CYCLE	Int	6.0	Cycle time of previous OB1 scan (milliseconds)
OB1_MIN_CYCLE	Int	8.0	Minimum cycle time of OB1 (milliseconds)
OB1_MAX_CYCLE	Int	10.0	Maximum cycle time of OB1 (milliseconds)
OB1_DATE_TIME	Date_And_Time	12.0	Date and time OB1 started

Baustein: OB1 "Main Program Sweep (Cycle)"

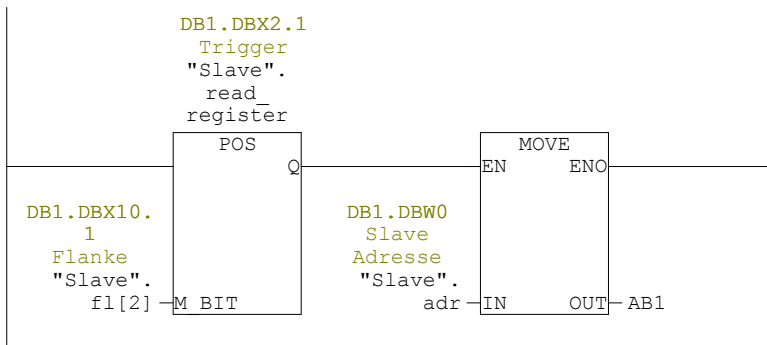
Netzwerk: 1 read input



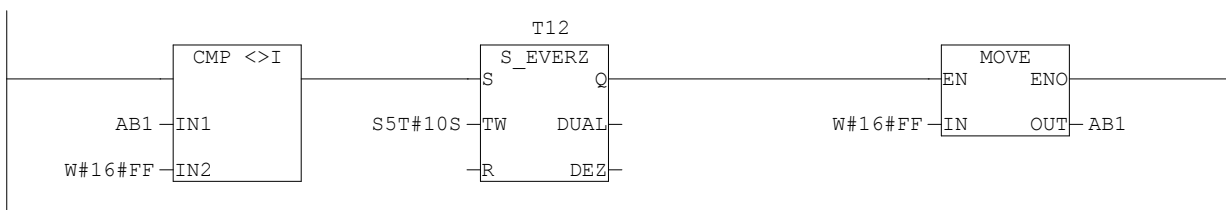
Netzwerk: 2 time out



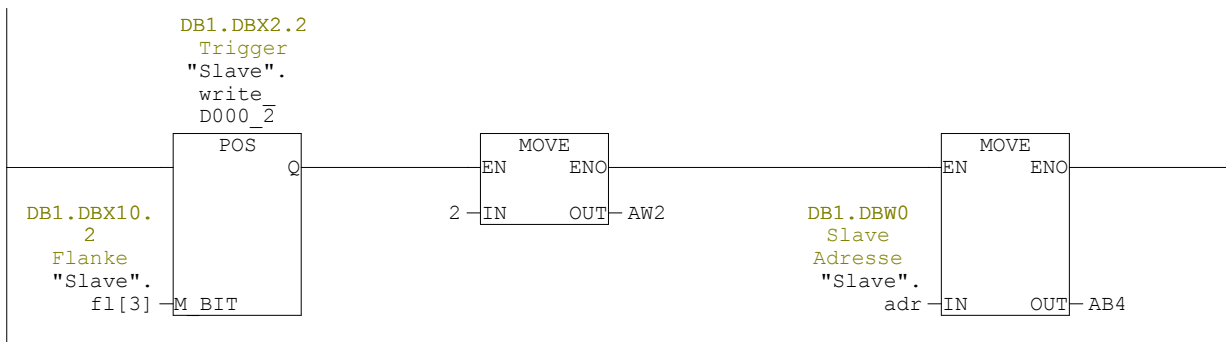
Netzwerk: 3 read register



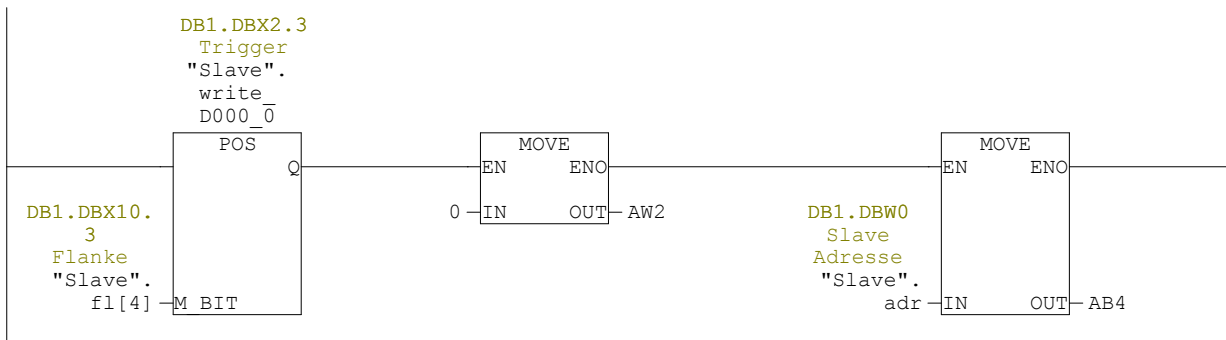
Netzwerk: 4 time out



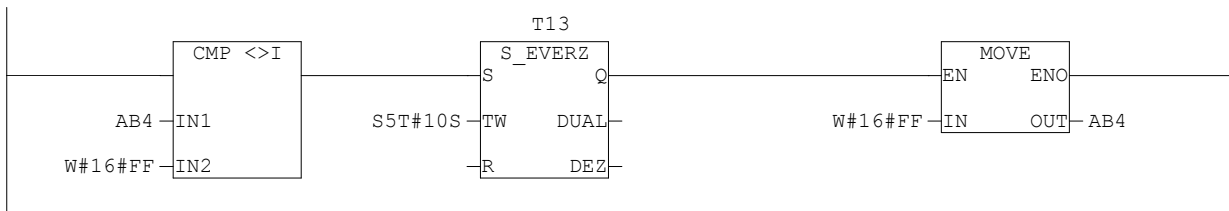
Netzwerk: 5 write D000 Reset



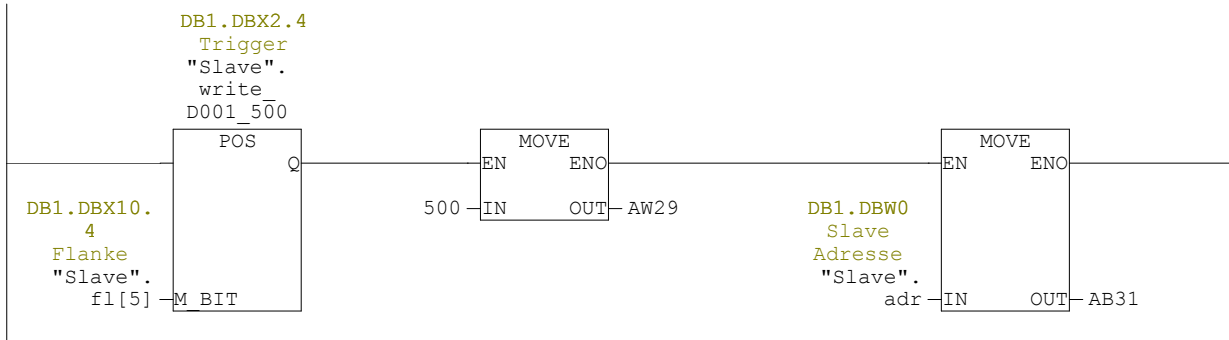
Netzwerk: 6 write D100



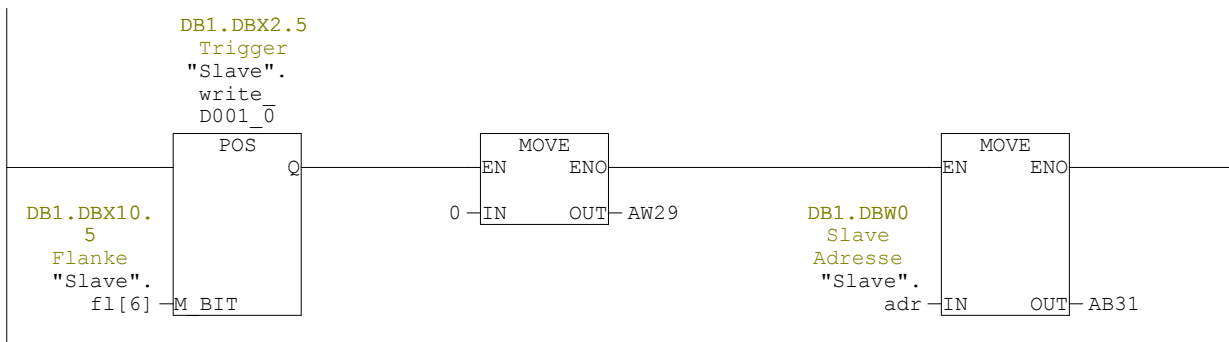
Netzwerk: 7 time out



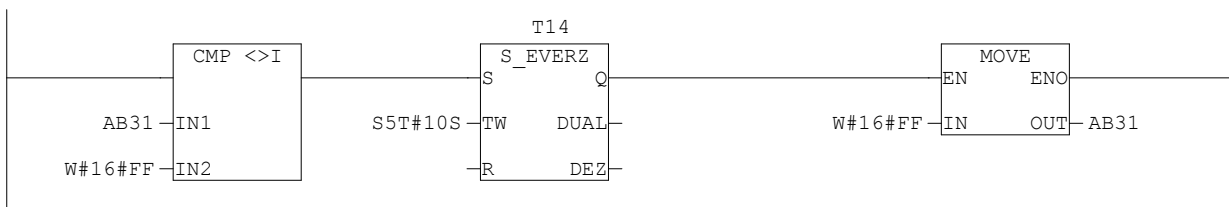
Netzwerk: 8 write D001



Netzwerk: 9 write D001



Netzwerk: 10 time out



Netzwerk: 11 Register beschrieben?

```

L     EB    44
L     "Slave".recv_write   DB1.DBW4      -- Rückmelde-Byte
<>I
SPBN empf

L     B#16#FF
T     AB    0
T     AB    1
T     AB    4

```

```
T AB 7
T AB 10
T AB 13
T AB 16
T AB 19
T AB 22
T AB 25
T AB 28
T AB 31
T AB 34
T AB 37
```

```
L EB 44
T "Slave".recv_write DB1.DBW4 -- Rückmelde-Byte
```

```
empf: NOP 0
```

```
L EB 0
L "Slave".recv_input DB1.DBW6 -- Rückmelde-Byte
<>I
SPBN emp2
```

```
L B#16#FF
T AB 0
```

```
L EB 0
T "Slave".recv_input DB1.DBW6 -- Rückmelde-Byte
```

```
emp2: NOP 0
```

```
L EB 30
L "Slave".recv_holding DB1.DBW8 -- Rückmelde-Byte
<>I
SPBN emp3
```

```
L B#16#FF
T AB 1
```

```
L EB 30
T "Slave".recv_holding DB1.DBW8 -- Rückmelde-Byte
```

```
emp3: NOP 0
```