

S 2000 Type 02X

Small sensor blower for active ventilation of temperature sensors used for climate control in cars. The active ventilation of the integrated sensor avoids mismeasurements due to irradiation of various heat sources. Significant reduced overall size due to the new motor technique of an external rotor motor on pinch pole basis.

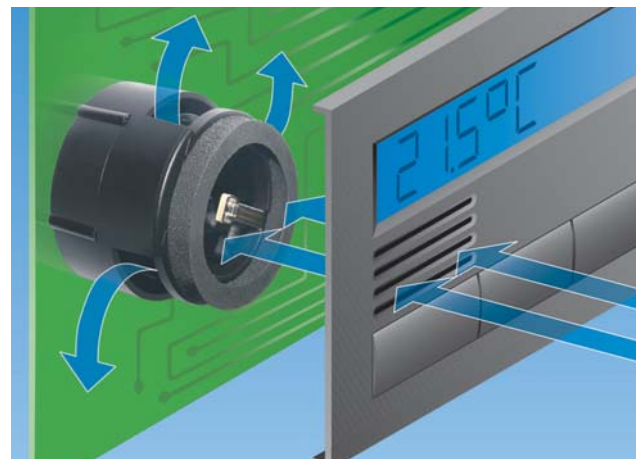
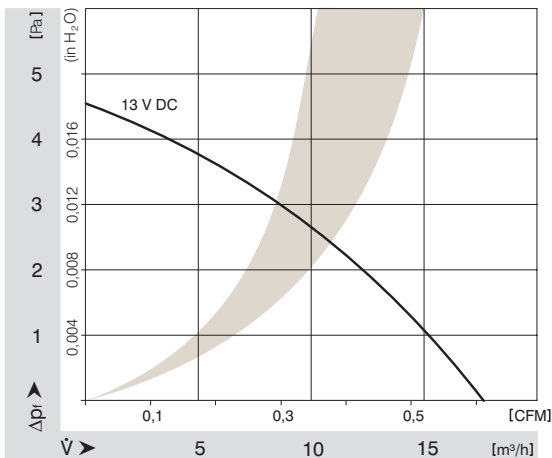
- Version with temperature sensor
- Modular design with possible mechanical fixing also electrical connection from flange and back side
- Plug-in version (without drive electronics)
- Sintec slide bearing system
- Quality Management ISO/TS 16949



| Nominal data | Voltage Range | Rated Voltage | Current Consumption (free air) | Rated Speed (free air) | Air flow | Operating Temp. | Storage Temp. | Service life (at 23 °C environment temp.) | Noise* (free air) | Mass |
|--------------|---------------|---------------|-----------------------------------|---------------------------|----------|-----------------|---------------|--|----------------------|------|
| Type | V DC | V DC | mA | rpm | l/min | °C | °C | h | dB (A) | g |
| 934 1706 02X | 8...16 | 13 | <50 | 2 700 | 18 | -40...+95 | -40...+100 | 5 000 | <26 | 14 |

* Measured at free air delivery. Microphone distance 10 cm. Sensor blower assembled freerunning in elastic bands.

All data are based on the operation with the commutation electronics indicated on the reverse side (average values at nominal voltage).

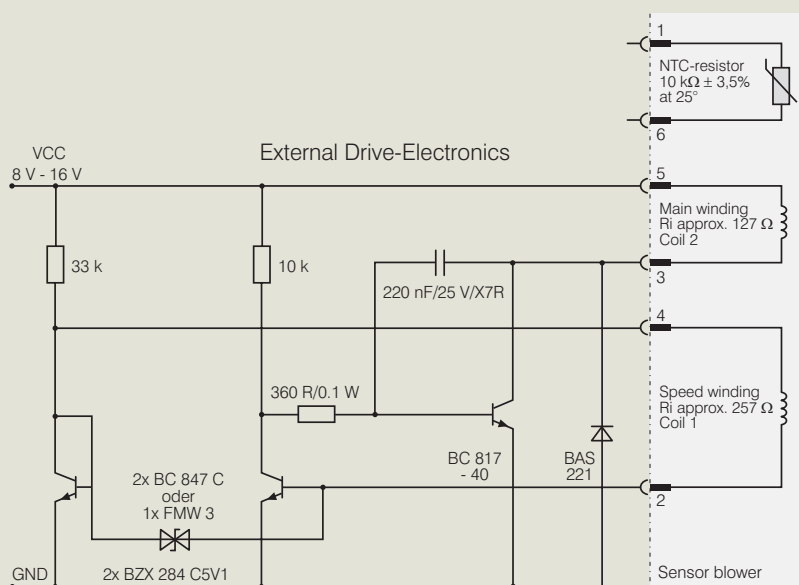


Wiring diagram

With this S 2000 plug-in variant you are able to integrate the drive-electronics and the temperature sensor on your own choice. You can also place it on your PCB.

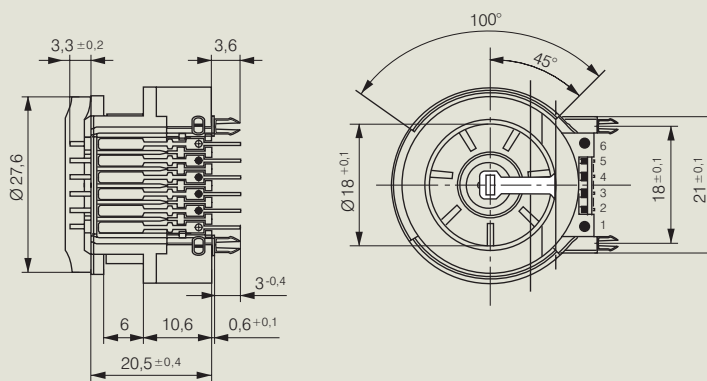
For the wiring diagram we recommend a drive-electronics with protection against high voltage and reversed polarity.

Blower diagnosis possible with specially equipped drive electronics (wiring diagram on request).



Dimensions

All dimensions in mm. Engineering drawing with tolerance indication on request.



Fixing

Mounting by clip fixing on the PCB.

Electrical terminals via soldering pins (terminals are not suitable for plug-type connection).

Gold-plated pins for a direct plug-type connection on request.

