

DC Radial Fans

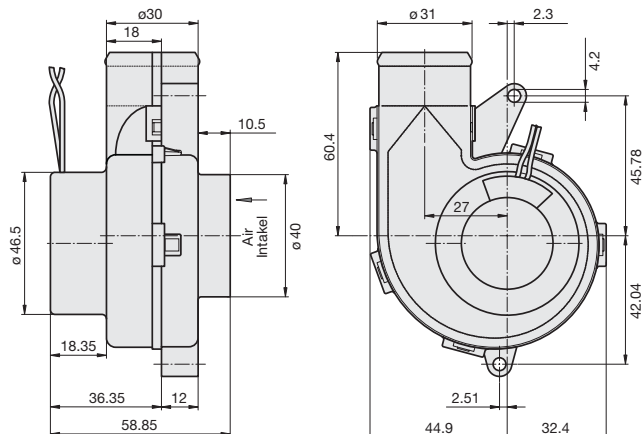
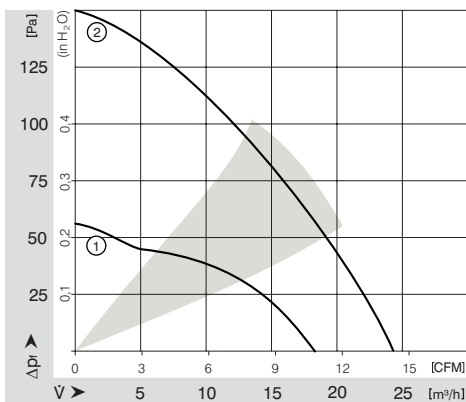
ebmpapst

Series RV 40 105 x 59 x 79 mm



- DC radial blower with electronically commutated external rotor motor. Fully integrated commutation electronics.
- Spiral housing and blower wheel of fibreglass reinforced plastic.
- Radial air exhaust through housing port.
- Electrical connection via 2 leads AWG 26, TR 64. Stripped and tinned ends.
- Mass 100 g.

Nominal Data		Air Flow	Air Flow	Nominal Voltage	Voltage Range	Noise	Sinter-Sleeve Bearings Ball Bearings	Power Input	Nominal Speed	Temperature Range	Service Life L ₁₀ at 40 °C	at t _{max}	Curve
Type		m ³ /h	CFM	V DC	V DC	Bel	□ / ■	Watt	min ⁻¹	°C	Hours	Hours	
RV 40-18/12 L		18	10.6	12	9...16	4.5	■	2.3	3 900	-20...+70	70 000 / 35 000		1
RV 40-18/12 H		24	3.9	12	9...16	5.0	■	4.5	4 800	-20...+70	50 000 / 25 000		2



ebm-papst St. Georgen GmbH & Co. KG

Hermann-Papst-Straße 1 • D-78112 St. Georgen • Phone +49 (0) 77 24 / 81-0 • Fax +49 (0) 77 24 / 81-1309 • info2@de.ebmpapst.com • www.ebmpapst.com/de