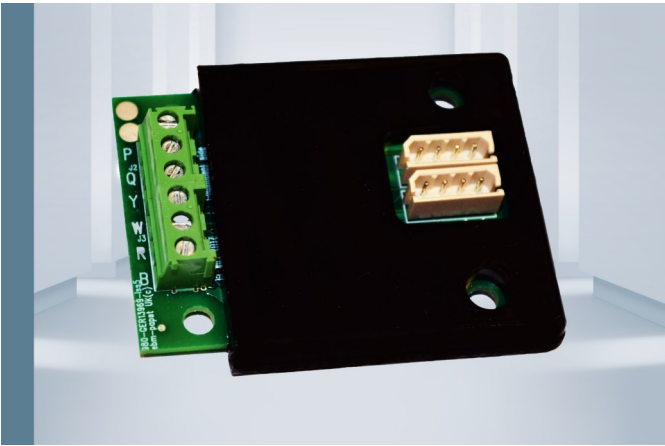


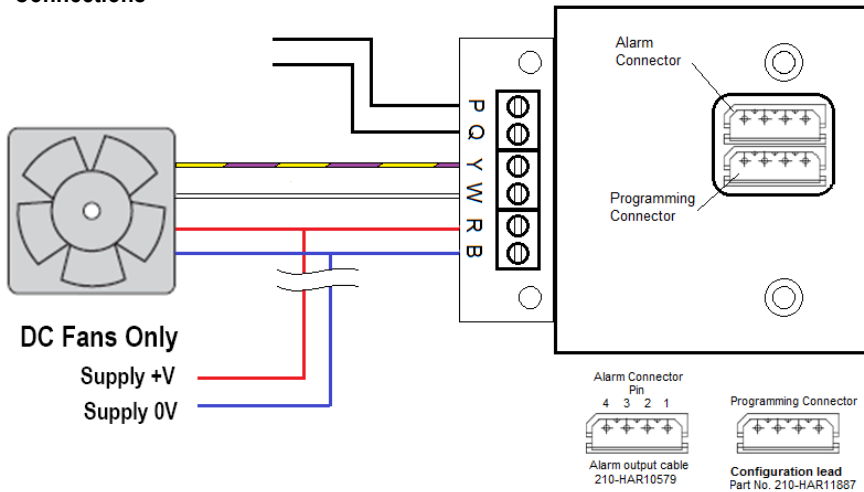
Configurable Generic Controller



- **Features:**
 - Temperature sensitive speed control
 - Alarm output, open collector interface: Fan failure, over and under-temperature, sensor failure
 - Configurable temperature profile
 - Graphical User Interface
 - Rugged over-moulded construction
- **Accessories:**
 - SN1060 thermistor lead
 - 210-HAR11887 configuration lead
 - 210-HAR10579 alarm lead

Part Number	Supply Voltage VDC	Temperature Profile °C	Ambient Temperature °C	Max Humidity	Height mm	Width mm	Depth mm
CGCXX00000	10-57	0-63	-30-+70	90	45	56.5	8

Connections



Connection Table	
P	Thermistor / 0-10V Input
Q	Thermistor / 0V Input
Y	PWM Speed Control Output
W	Fan Tacho Input
R	+V Supply
B	0V Supply

