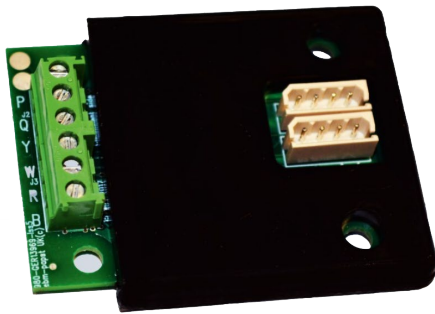


A2P Interface

ebmpapst

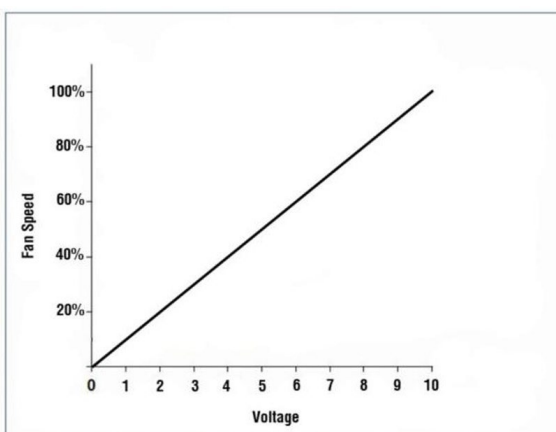
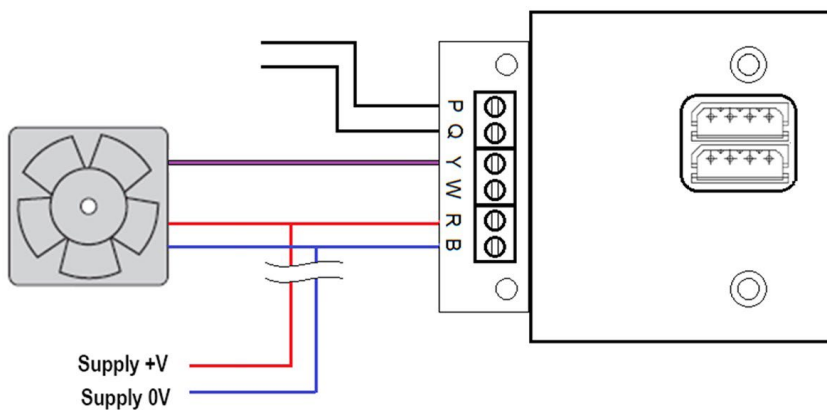
engineering a better life



The A2P interface is a 0-10 volt to open collector PWM converter and is designed to work with ebm-papst 4 wire PWM controlled DC fans. The interface is matched to the fan so that with its very low power consumption, there is no need for a separate dedicated power supply.

A2P Interface

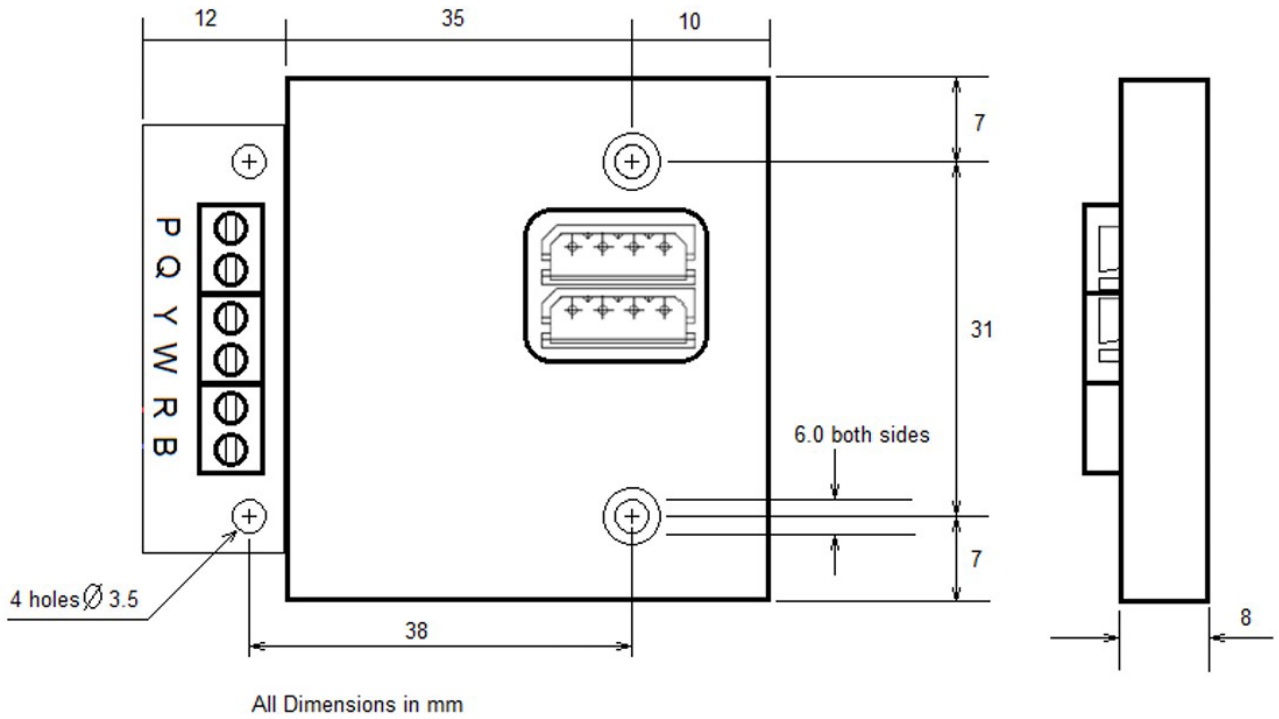
Part number	Supply voltage VDC	DC Voltage v	Ambient temperature °C	Max humidity %RH	Width mm	Length mm	Height mm	Weight g
CPCXXVV10UN	10-57	0-10	-30 - +60	90	50	56.3	13.3	25



Connection table

- P 0-10V DC (maximum 100kΩ load)
- Q GND (0V)
- Y Open-Collector PWM Output at 8Khz
- W NC
- R 10V to 57V DC supply
- B GND(0V)

A2P Interface



www.ebmpapst.com

ebmpapst

engineering a better life

ebm papst UK
Chelmsford Business Park,
CM2 5EZ, United Kingdom
+44 (0) 1245 456530
info@uk.ebmpapst.com