



Stronger, quiet, *reliable.*

AxiForce: powerful, efficient, and reliable compact fans.

ebmpapst

engineering a better life



Impressive overall package.

Compact on the outside, powerful on the inside.

The new AxiForce series sets the benchmark in air performance and noise thanks to a host of aerodynamic improvements and the use of the latest efficient motor technology.



Steep power curve for high performance; efficiency increase of up to 18%



Powerful electronics



Noise advantage up to 6 dB (A) with size 80, for example



Full flexibility with speed, PWM and voltage signal plus temperature sensor and various alarms



Robust versions with salt spray protection, protection class up to IP68 and ATEX certification

Efficient and quiet: *The new AxiForce series.*



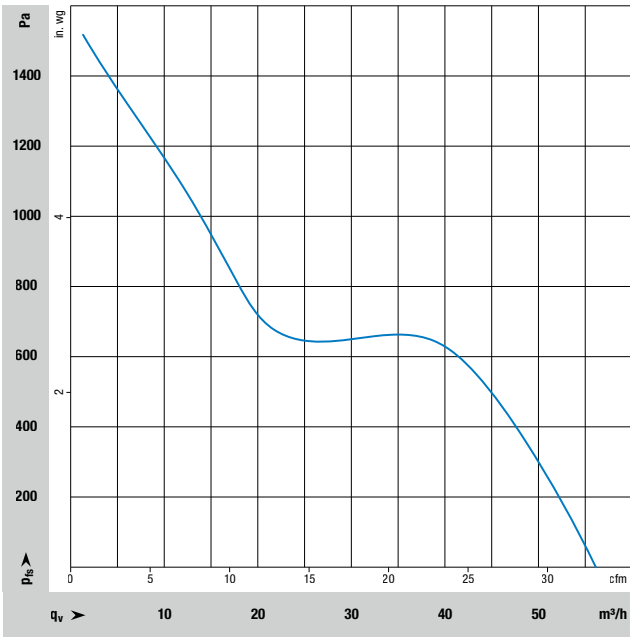
With the new AxiForce series, ebm-papst continues its role as an innovation leader, developing technologies that are essential for a modern and connected future. The brain of a complete production line, complex system or mobile network infrastructure is often installed in industrial control cabinets. It almost always contains sensitive electronic and electrical components that have to be consistently and effectively protected from dangerous environmental factors, such as severe temperature fluctuations, for the safe and error-free operation of a whole host of industry applications.

With the new AxiForce series, ebm-papst has developed a compact fan series that provides continuous, uniform and reliable cooling for control units in automation technology and other state-of-the-art technologies, such as 5G power modules – and with more power and less noise than ever before.

Due to its variable installation, high cooling capacity in the smallest of spaces and interactive integration into the device logic, it is already indispensable in modern automation.

AxiForce size 40





Features:

- + Newly developed flow geometry
- + Motor concept with optimized noise levels and efficiency
- + Power electronics with optimized efficiency
- + Airflow direction blowing over struts
- + Direction of rotation: counterclockwise, looking towards rotor
- + Housing material: plastic (PBT)
- + Fan impeller material: plastic (PA)
- + Tach output
- + PWM control input (range 3,000–27,000 rpm)

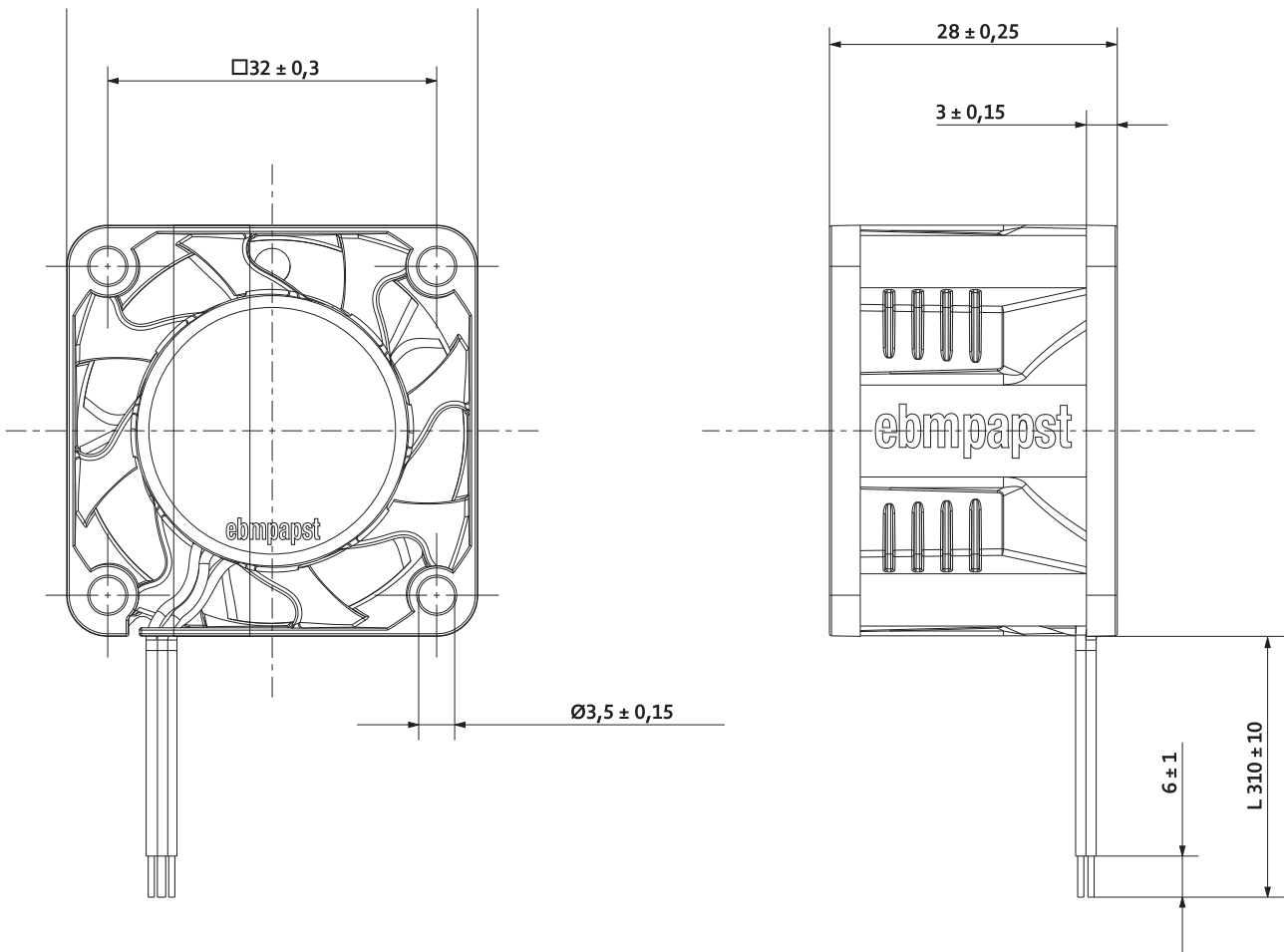
Optional:

- + Go-/No go alarm
- + Analog control input
- + Salt spray resistance
- + Degree of protection up to IP68 (at reduced speed)
- + ATEX-certified – EN 60079-7, Group IIC, T3 (in conjunction with IP68)

Nominal data

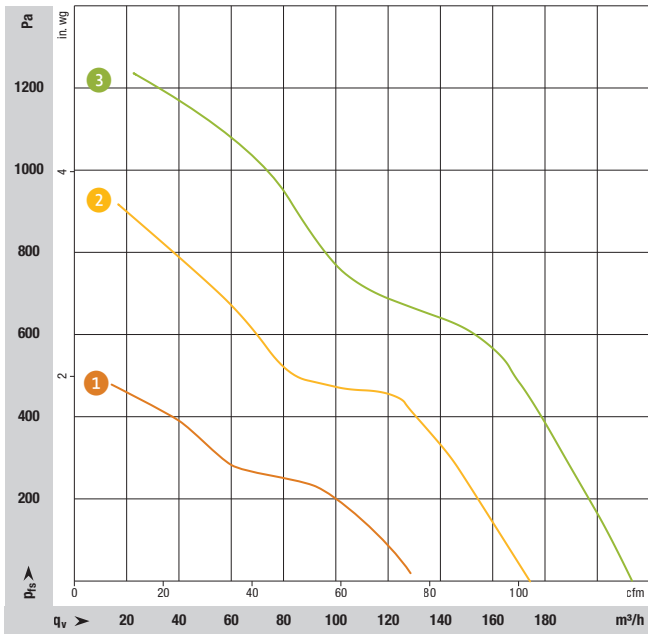
Type	Material no.	Air flow* m³/h	Air flow* cfm	Nominal voltage VDC	Voltage range VDC	Sound pressure dB(A)	Power consumption* (free air) Watts	Max. Power consumption Watts	Nominal speed rpm	Temperature range °C	Ground kg	Service life L10 (40 °C) ebm-papst standard h
VWCE040KHDGS	8300100443	56	33	12	8...13,8	64	19	23	27,000	-20...+70	0.048	70,000
VWCE040KJDGS	8300100674	56	33	24	18...28	64	19	23	27,000	-20...+70	0.048	70,000
VWCE040KKDGS	8300100673	56	33	48	36...56	64	19	23	27,000	-20...+70	0.048	70,000

All dimensions in mm. Data sheets available on request. Subject to technical changes. The technical data provided are based on sample measurements and may differ from the final series product.
*in free air operation.



AxiForce size 80





Description:

- + Newly developed flow geometry
- + New 3-phase motor concept
- + Powerful electronics
- + Airflow direction: exhaust over struts
- + Direction of rotation: counterclockwise viewed toward rotor
- + Housing material: plastic (PBT)
- + Fan impeller material: plastic (PA)
- + Tacho output
- + PWM control input

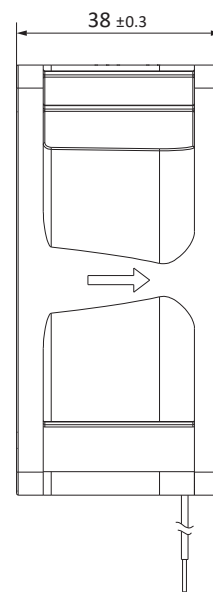
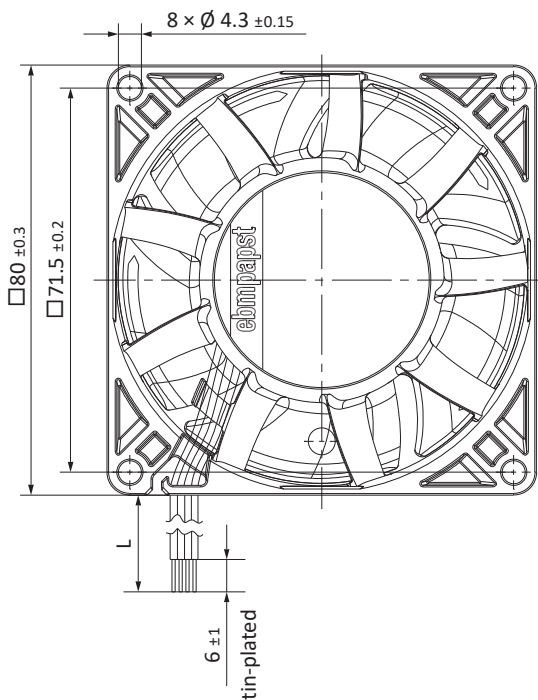
Optional:

- + Go / NoGo alarm
- + Alarm with speed limit
- + Temperature sensor for speed control
- + Analog control input
- + Salt spray resistance
- + Protection class up to IP68
- + EMC Class B
- + ATEX certified – EN 60079-7, Group IIC, T4

Nominal data

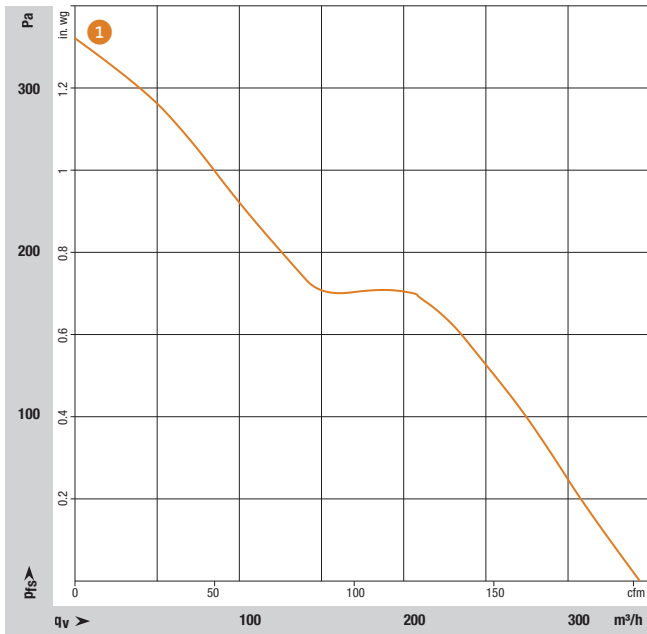
Type	Material no.	Air flow* m³/h	Air flow* cfm	Nominal voltage V DC	Voltage range V DC	Sound pressure dB(A)	Sound power Bel (A)	Sintered sliding bearing Ball bearings	Power consumption* Watts	Max. power consumption Watts	Nominal speed rpm	Temperature range °C	Ground kg	Curve
VWCF080KHFKS	8315100320	132	78	12	8...16	62	7.2	■	12	25	10,000	-20...+75	0.2	①
VWCF080KJFKS	8315100321	132	78	24	16...32	62	7.2	■	12	25	10,000	-20...+75	0.2	①
VWCF080KKFKS	8315100322	132	78	48	36...60	62	7.2	■	12	25	10,000	-20...+75	0.2	①
VWCF080KHFLS	8315100136	175	103	12	8...16	71	7.7	■	26	63	13,200	-20...+75	0.2	②
VWCF080KJFLS	8315100137	175	103	24	16...32	71	7.7	■	25	62	13,200	-20...+75	0.2	②
VWCF080KKFLS	8315100138	175	103	48	36...60	71	7.7	■	24	61	13,200	-20...+75	0.2	②
VWCF080KHFMS	8315100130	215	126.5	12	8...16	76	8.3	■	46	98	16,500	-20...+75	0.2	③
VWCF080KJFMS	8315100134	215	126.5	24	16...32	76	8.3	■	44	96	16,500	-20...+75	0.2	③
VWCF080KKFMS	8315100135	215	126.5	48	36...60	76	8.3	■	42	94	16,500	-20...+75	0.2	③

All dimensions in mm. Data sheets available on request. Subject to technical changes.
*in free air operation.



AxiForce size 120





Description:

- + Newly developed flow geometry
- + New 1-phase motor concept
- + Powerful electronics
- + Airflow direction: exhaust over struts
- + Direction of rotation: counterclockwise viewed toward rotor
- + Housing material: plastic (PBT)
- + Fan impeller material: plastic (PA)
- + Tacho output
- + PWM control input

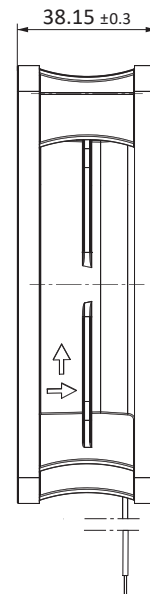
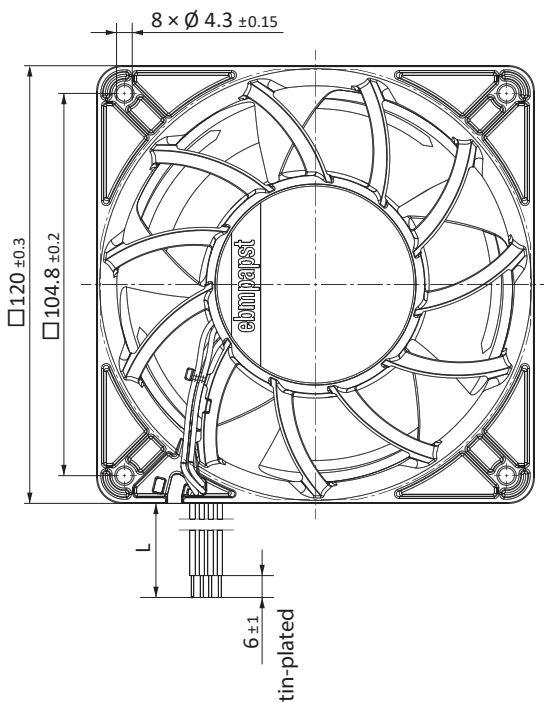
Optional:

- + Go / NoGo alarm
- + Alarm with speed limit
- + Temperature sensor for speed control
- + Analog control input
- + Salt spray resistance
- + Protection class up to IP68
- + EMC Class B
- + ATEX certified – EN 60079-7, Group IIC, T4

Nominal data

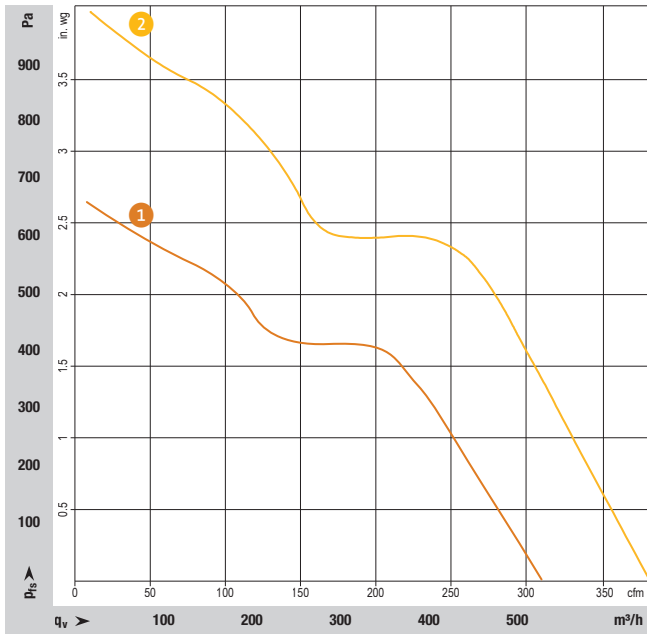
Type	Material no.	Air flow* m³/h	Air flow* cfm	Nominal voltage V DC	Voltage range V DC	Sound pressure dB(A)	Sound power Bel (A)	Sintered sliding bearing Ball bearings	Power consumption* Watts	Max. power consumption Watts	Nominal speed rpm	Temperature range °C	Ground kg	Curve
VWCF120KHJPS	8315100143	345	203	12	10.8...13.2	59	7.0	■	30	35	6,500	-20...+70	0.3	①
VWCF120KJJPS	8315100142	345	203	24	16...32	59	7.0	■	30	35	6,500	-20...+70	0.3	①
VWCF120KKJPS	8315100144	345	203	48	36...60	59	7.0	■	30	35	6,500	-20...+70	0.3	①

All dimensions in mm. Data sheets available on request. Subject to technical changes.
*in free air operation.



AxiForce size 172





Description:

- + Newly developed flow geometry
- + New 3-phase motor concept
- + Powerful electronics
- + Airflow direction: exhaust over struts
- + Direction of rotation: counterclockwise viewed toward rotor
- + Housing material: aluminum
- + Fan impeller material: plastic (PA)
- + Tacho output
- + PWM control input

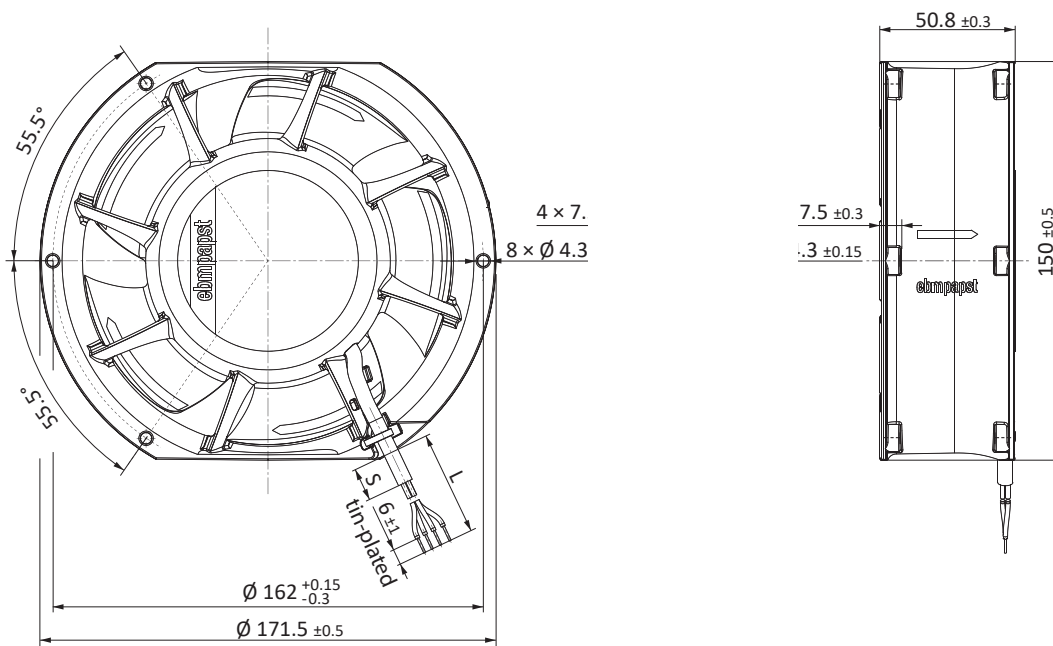
Optional:


- + Go / NoGo alarm
- + Alarm with speed limit
- + Temperature sensor for speed control
- + Analog control input
- + Salt spray resistance
- + Protection class up to IP68
- + ATEX certified – EN 60079-7, Group IIC, T4

Nominal data

Type	Material no.	Air flow* m³/h	Air flow* cfm	Nominal voltage V DC	Voltage range V DC	Sound pressure dB(A)	Sound power Bel (A)	Sintered sliding bearing Ball bearings	Power consumption* Watts	Max. power consumption Watts	Nominal speed rpm	Temperature range °C	Ground kg	Curve
VWLG150KJLRS	8315100157	530	311	24	16...30	71	7.7	■	58	100	6,800	-20...+70	0.9	①
VWLG150KKLSS	8315100059	650	382	48	36...72	70	8.1	■	98	170	8,300	-20...+70	0.9	②

All dimensions in mm. Data sheets available on request. Subject to technical changes.
*in free air operation.





What *Engineering*
a better life means
to us.

Who we are.

We lead air technology into the next generation: with innovative hardware and software solutions that are always more powerful, compact, efficient and sustainable than their predecessors. Over the years, this has made us the world's leading manufacturer for fans and drives and helps reduce the carbon footprint in our customers' applications.

Digitalization and the associated networking of intelligent components and systems play a central role for us. In this way, we create a holistic link between sustainability and digitalization and enable the responsible use of resources through intelligent solutions of the highest efficiency.

What drives us.

But our consistent pursuit of efficiency and progress has even deeper roots. After all, there is something that excites us even more than our market position. It is the deep awareness that, with our solutions, like the new **AxiForce series**, we are making the lives of many people around the globe more pleasant, safer and thus better. Therefore, the central driving force in all our thoughts and actions is Engineering a better life. It is the reason why it is worthwhile for us to get up every day and do our best.

More about this at ebmpapst.com/aboutus

What you get out of it.

- 1. Technological edge.**
With our EC technology, we combine the highest energy efficiency with the advantages of IoT and digital networking.
- 2. Our sustainable approach.**
We take our responsibility seriously with energy-saving products, environmentally-friendly processes and through social engagement.
- 3. System expertise.**
As experts in advanced motor technology, electronics and aerodynamics, we provide perfect system solutions from a single source.
- 4. The ebm-papst spirit of invention.**
Over 800 engineers and technicians will develop a solution that precisely fits your needs.
- 5. Personal proximity to you.**
With numerous sales locations worldwide, we create a glocal presence that ensures fast response times. We always consider the complete process and put the customer at the center.
- 6. Our standard of quality.**
Our quality management is uncompromising, at every step and in every process.

ebmpapst

engineering a better life

*Would you like more information?
No problem:*



ebm-papst Inc. North America

USA

100 Hyde Road
Farmington, CT 06034
Phone + 1 860-674-1515
Fax + 1 860-674-8536
sales@us.ebmpapst.com

USA

655 Performance Drive
Telford, TN 37690 Phone:
+1 (423) 589-1515 Fax: +1
(423) 370-1818
sales@us.ebmpapst.com

Canada

Oshawa Executive Centre
419 King Street West
Oshawa, ON
Suite 603A
L1J 2K5
Phone: (905) 420-3533
Fax: (905) 420-3772
sales@ca.ebmpapst.com

Mexico

Paseo de Tamarindos
400-A-50 Piso
Col Bosques de las Lomas
Mexico 05120 DF Phone:
+52 55 3300-5144 Fax: +52
55 3300-5243
sales@mx.ebmpapst.com